

EX - MAIN CURRENT SWITCHES

Up to 630 A

CEAG main current switches in a number of versions can be protected against inadvertent switching on by our integrated locking facility for up to three padlocks in the OFF position.

Full AC-3 motor switching capacities and isolating properties according to EN 60947-4-1 with compulsory opening of the main current contacts according to EN 60204-1 are just some of the eminent features offered by CEAG's main current switches.

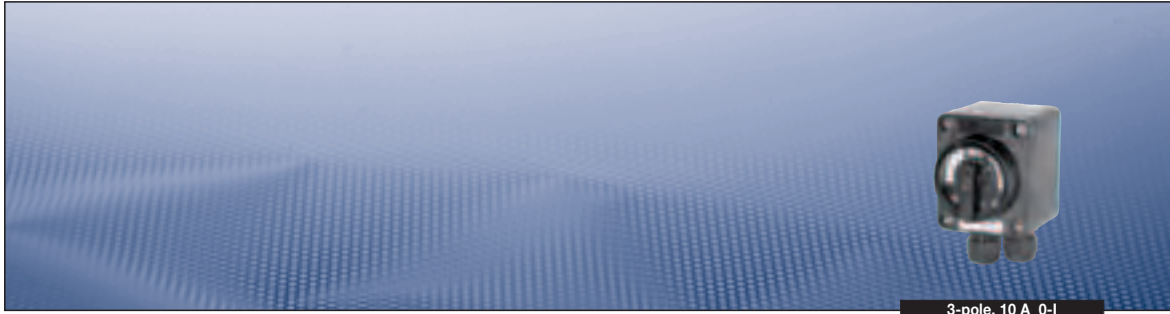
The main current switches feature an installation-friendly design and easily accessible connection terminals. Versions in impact-resistant polyamide or glass-fibre-reinforced polyester guarantee the high degree of protection IP66 for amperages up to 180 A. These can be optionally supplied with snap-on moulded plastic or brass flanges. They can be equipped with screw-on flanges.

Main current switches >180 A are realized in metal enclosures.

Internationally approved.

- Full AC-3 switching capacity
- Cost-saving installation
- Variants: star, delta, Dahlander or reversing switches up to 80 A
- Up to 40 A: snap mounting
- Up to 180 A: IP66 protection





3-pole, 10 A 0-I

Technical data

Ex-Main current switch 10 A

Marking to 94/9/EC	Ⓔ II 2 G Ex de IIC T6 / Ⓔ II 2 D Ex tD A21 IP66 T80 °C	
EC-Type Examination Certificate	PTB 00 ATEX 1074	
IECEX Certificate of Conformity	BKI 07.0014	
Marking accd. to IECEx	Ex ed IIC T6 Ex tD A21 IP66 T53 °C	
Permissible ambient temperature	-20 °C to +40 °C ¹⁾	
Rated voltage	up to max. 500 V	
Rated current	max. 80 A	
Frequency	50/60 Hz	
Rated making-/breaking capacity AC-3 accd. to EN 60947-3	U _e 230 V / I _e 10 A U _e 400 V / I _e 10 A U _e 500 V / I _e 10 A	
Back-up fuse	up to 400 V AC: 10 A gL up to 500 V AC: 10 A gL	
Connecting terminals	Main contact	2 x 1.5 - 2.5 mm ²
	Auxiliary-/Signal contact	2 x 0.5 - 2.5 mm ²
Insulation class	I	
Degree of protection accd. EN 60529	IP66	
Cable glands/enclosure drilling	M25 (d = 8 - 17 mm) see ordering details	
Weight	approx. 0.60 kg	
Enclosure material	impact resistant polyamide	
Enclosure colour	black	

¹⁾ Other ambient temperatures on request

Ex-Main current switches



3-pole, 10 A 0-I

Ordering details

Version	Cable entry	Order No.
Ex-Main current switch 10 A 3-pole 0-I	2 x M25 ON-OFF switch	GHG 261 0006 R0001

Customized version on request

Accessories

Mounting plate for Ex-main current switch 10 A 3-pole

Type	Application	Fixing technique	Order No.
Size 1	Wall mounting	screw-on	GHG 610 1953 R0101
Size 1	Pipe mounting	screw-on	GHG 610 1953 R0102
Size 1	Trellis mounting	screw-on	GHG 610 1953 R0103

Accessories for mounting plates

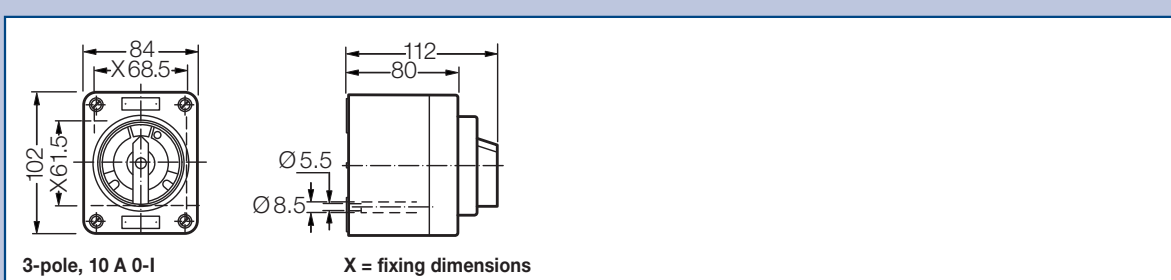
Type	OU	Order No.
Label holder with label (unlabelled) for mounting plates size 1, 2, 2A and 3	10	GHG 610 1953 R0057
Installation kit for pipes 1" (of 27 - 30 mm) for mounting plates for pipe mounting	10	GHG 610 1953 R0020

Accessories for canopies plates

Type	Application	OU	Order No.
Size 1	for mounting plate size 1	1	GHG 610 1955 R0101

Please note that we can only deliver in the ordering units (OU) stated in the tables above

Dimension drawing



Dimensions in mm

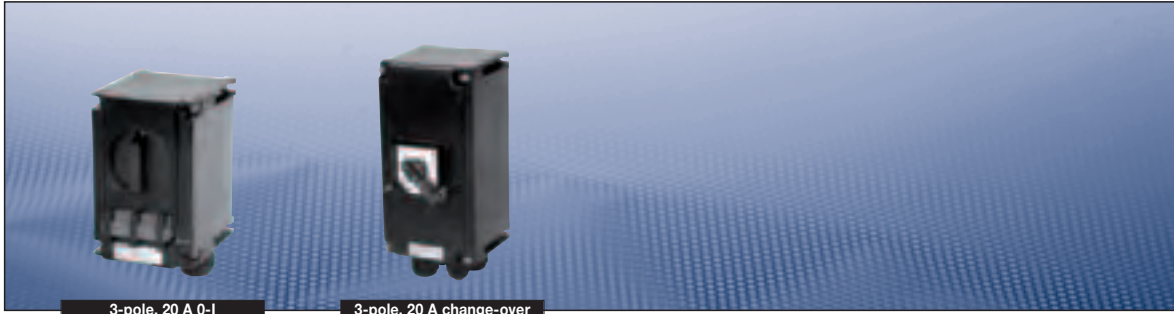


Technical data

Ex-Main current switch 20 A		
Marking to 94/9/EC	Ⓔ II 2 G Ex ed ia IIC T6 / Ⓔ II 2 D Ex tD A21 IP66 T80 °C	
EC-Type Examination Certificate	PTB 99 ATEX 1161	
IECEX Certificate of Conformity	BKI 07.0012	
Marking accd. to IECEx	Ee ed ia IIC T6 Ex tD A21 IP66 T55 °C	
Permissible ambient temperature	-20 °C to +40 °C ¹⁾	
Rated voltage	up to max. 690 V	
Rated current	max. 20 A	
Frequency	50/60 Hz	
Rated making-/breaking capacity AC-3 accd. to EN 60947-3	U _e 230 V / I _e 20 A U _e 400 V / I _e 20 A U _e 500 V / I _e 16 A U _e 690 V / I _e 10 A	
Back-up fuse	up to 400 V AC: 35 A gL up to 500 V AC: 35 A gL up to 690 V AC: 25 A gL	
Connecting terminals	Main contact	2 x 4 mm ²
	Auxiliary-/Signal contact	2 x 0.5 - 2.5 mm ²
Insulation class	I	
Degree of protection accd. EN 60529	IP66	
Cable glands/enclosure drilling	M25 (d = 8 - 17 mm) see ordering details M32 (d = 12 - 21 mm) see ordering details Option: metal flange with thread	
Weight	approx. 1.40 kg	
Enclosure material	glass-fibre reinforced polyester	
Enclosure colour	black	

¹⁾ Other ambient temperatures on request

Ex-Main current switches



Ordering details

Version	Cable entry	Order No.
Main current switch 20 A 3-pole		
3-pole	0 - I	2 x M32 ON-OFF switch GHG 262 1301 R0001
	0 - Y - D	3 x M32 star-delta GHG 262 0016 R0004
	0 - I - II	3 x M32 Dahlander GHG 262 0016 R0005
Main current switch 20 A 3-pole		
Version with 2 auxiliary contact (1 x NO; 1 x NC)		
3-pole	I - II	3 x M32/1 x M25 change-over switch GHG 262 0016 R0001
	I - 0 - D	3 x M32/1 x M25 change-over switch GHG 262 0016 R0002
	I - 0 - II	3 x M32/1 x M25 reversing switch GHG 262 0016 R0003

Customized version on request, auxiliary contacts in Ex ia available

Accessories

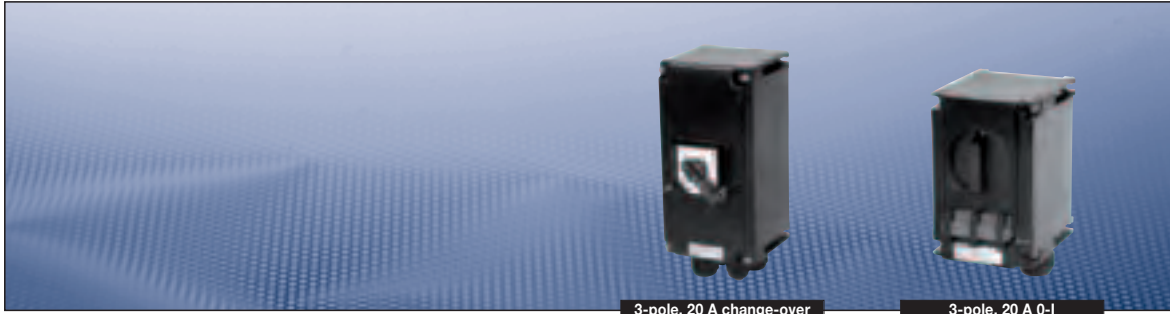
Mounting plate for Ex-main current switch 20 A 3-pole			
Type	Application	Fixing technique	Order No.
Size 2	Wall mounting	snap-on	GHG 610 1953 R0104
Size 2	Pipe mounting	snap-on	GHG 610 1953 R0105
Size 2	Trellis mounting	snap-on	GHG 610 1953 R0106

Accessories for mounting plates		
Type	OU	Order No.
Label holder with label (unlabelled) for mounting plates size 1, 2, 2A and 3	10	GHG 610 1953 R0057
Snap-on for CEAG apparatus with 5.5 mm and 11 mm mounting feet 1 set = 4 each	10	GHG 610 1953 R0041
Installation kit for pipes 1" (of 27 - 30 mm) for mounting plates for pipe mounting	10	GHG 610 1953 R0020

Accessories for canopies plates			
Type	Application	OU	Order No.
Size 2	for mounting plate size 2	1	GHG 610 1955 R0102
Size 2A	for mounting plate size 2A	1	GHG 610 1955 R0103

Please note that we can only deliver in the ordering units (OU) stated in the tables above

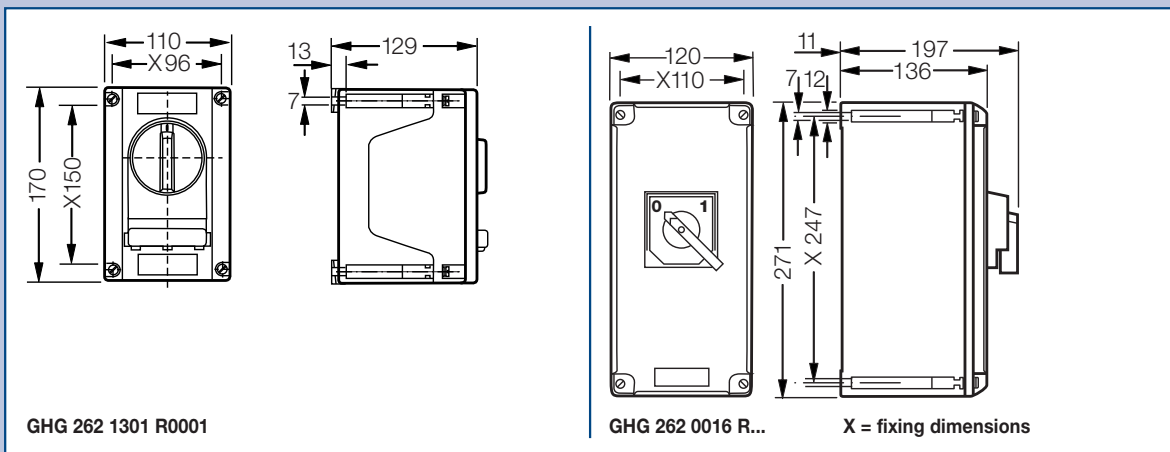
| Ex-Main current switches |



3-pole, 20 A change-over

3-pole, 20 A 0-1

Dimension drawing



Dimensions in mm

- 1
- 2
- 3
- 4
- 5
- 6
- 7
- 8
- 9
- 10
- 11
- 12